

# Auto Track Falcon II



## Features:

- Solid state electronics replace relay logic circuits.
- Traverse motor and gearbox are integrated into one unit.
- Wire reinforced drive belt for continuous cycles.
- Power wand versus reel cord for maintenance free power to the cutting head.
- Simplified controls for operator interface.
- Remote control activator (optional foot switch/25' or 50' cord).

The Auto Track Falcon control panel includes controls for:

- Power on/off
- Traverse track speed control
- Manual or auto-lift mode
- Ply counter
- Blade sharpening
- "Start cut" button

## Standard Features:

- Auto Lift
- Ply Counter
- Speed Setting
- Compression Foot
- Remote Control

## Optional Features:

- Cloth Alignment Bar
- Manual Foot Pedal Control

## Motors:

- 110v
- 220v

## Eastman®

*Over a Century of Cutting Expertise*

While similar in basic function to Eastman's Falcon IV end cutter, the Auto Track Falcon II offers the time saving advantages of automatic operation. The travel of the Auto Track's cutting head across the track and the elevating and lowering of the track lifting mechanism are motorized. The remote control enables the operation to activate the Auto Track Falcon's cutting cycle as soon as the operator is finished pulling the ply down the table, therefore gaining valuable seconds per ply.



## Specifications

Horsepower: .15 hp

Table widths available:

48" -144" (1.22m - 3.66m)

Blade Size: 4" (10.2cm)

Cutting Capacity: 1/2" up to 1-1/4" (3.20 cm with compressible material)

Cutting Speed: up to 35"/sec.

Eastman Machine Company

779 Washington Street, Buffalo, NY 14203 | p: +1-716-856-2200 | f: +1-716-856-1140  
www.eastmancuts.com | sales@eastmancuts.com | Factory test cutting available Free of Charge

# Eastman® Auto Track Falcon IIP



## End Cutting System

*Automatic Operation Saves Time and Money*

### Benefits:

- Solid state electronics • Air cylinder traversing track • Air line retractable reel • Air supply to the cutting head
- Simplified controls for operator interface • Remote control activator (optional foot switch w/ 25' or 50' cord)
- Remote interlocks with push buttons for cycle start mode (optional)

While similar in basic functions of the Falcon Air, Eastman's Auto Track Falcon II P offers the time saving advantages of automatic operation. Traversing of the Auto Track's cutting head across the table and the track lifting mechanism are automated. The remote control enables the operator to activate the Auto Track Falcon's cutting cycle as soon as the operator is finished pulling the ply down the table, enhancing cycle time.

### Standard Features:

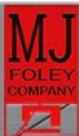
- Auto Lift
- Ply Counter
- Traverse Speed Setting
- Compression Foot
- Remote Control
- Airline Retractable Reel

### Optional Features:

- Cloth Alignment Bar
- Manual Foot Pedal Control
- Two Button Remote Interlock
- Four Button Remote Interlock
- Die Board Lift Kit



Control Box



SERVING THE SEWING INDUSTRY  
SINCE 1922

M.J. FOLEY COMPANY

(586) 948-6070

info@mjfoleyco.com



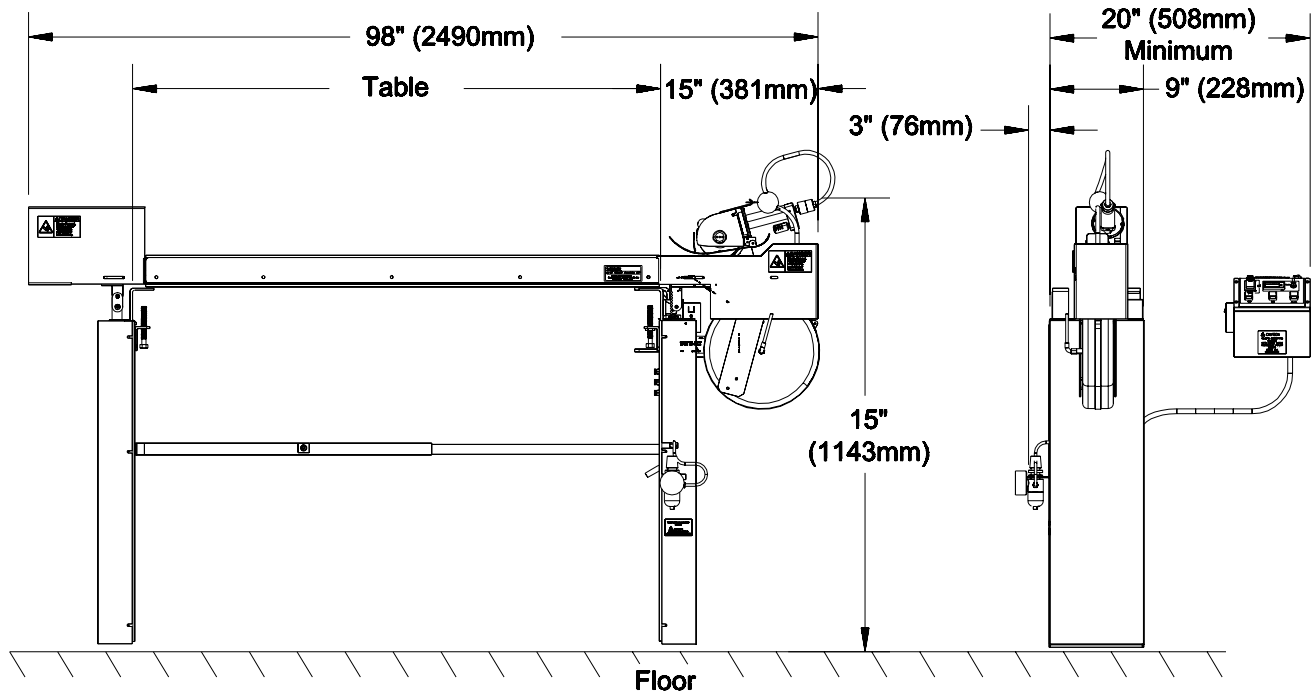
## TECHNICAL DATA

### Eastman® Auto Track Falcon Pneumatic

**Auto Track Falcon Pneumatic (Model ATF-IIP)**

Max. Machine Cycle Speed for 72" (1828mm) machine .....	5 seconds/cycle
Cutting Capacity .....	1/2" up to 1 1/4" (compressible goods)
Blade Size .....	4" (10.2 cm)
Horsepower .....	10 hp, .14 hp
Operating Voltage .....	110V/220V; (50/60 cycles)
Air Supply .....	70-90 PSI @ 25 SCFM
Power Requirement .....	110v @ 1/2 amps
.....	220v @ 1/2 amps
Machine Weight (72" machine) .....	Approx. 130 lbs. (59 kg)
Table Widths: .....	48" - 144" (1.22m - 3.66m)
Operating DB Level (noise) .....	84db @ 2 feet

\* Relative to the type and quality of fabric, machine size, traverse speed, etc.



**MJ FOLEY CO.**

SERVING THE INDUSTRY SINCE 1922

Representing the world's leading manufacturers of Industrial Sewing, Spreading, Cutting & Finishing Equipment.

P: (586) 948.6070  
F: (586) 948.6081

NEW BALTIMORE, MI ■ DEL RIO, TX

779 Washington St.  
Buffalo, New York 14203-1396  
Tel: (716) 856-2200  
Fax: (716) 856-1140  
E-Mail: sales@eastmancuts.com  
Website: www.eastmancuts.com

Contact:



**MJ FOLEY CO.**  
SERVING THE INDUSTRY SINCE 1922

Representing the world's leading manufacturers of Industrial Sewing,  
Spreading, Cutting & Finishing Equipment.

P: (586) 948.6070  
F: (586) 948.6081

NEW BALTIMORE, MI ■ DEL RIO, TX



SERVING THE SEWING INDUSTRY  
SINCE 1922

M.J. FOLEY COMPANY  
(586) 948-6070  
info@mjfoleyco.com

Eastman Machine Company  
779 Washington Street, Buffalo, NY 14203 | p: +1-716-856-2200 | f: +1-716-856-1140  
www.eastmancuts.com | sales@eastmancuts.com | Factory test cutting available Free of Charge